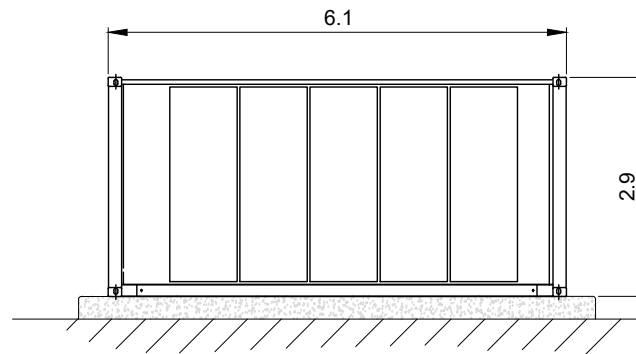
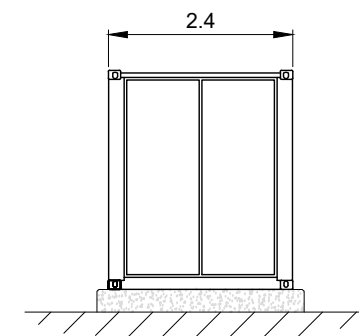


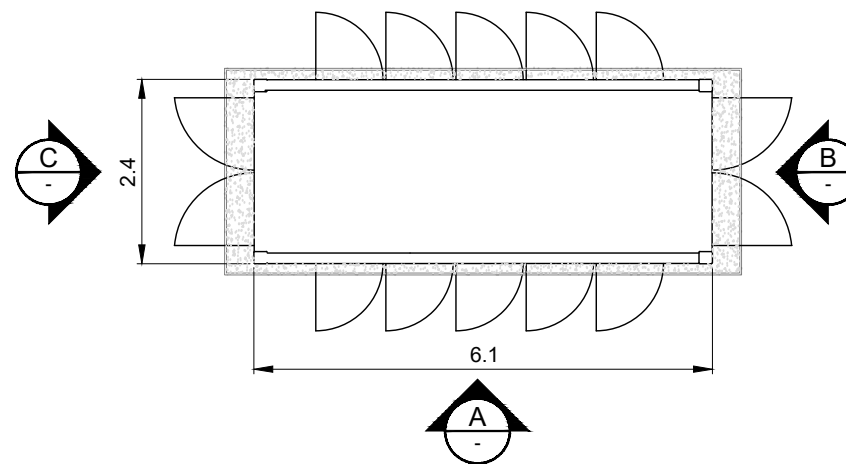
ELEVATION C
SCALE 1:100



ELEVATION A
SCALE 1:100



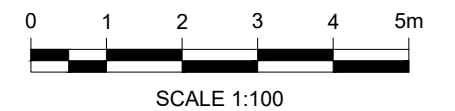
ELEVATION B
SCALE 1:100



PLAN
SCALE 1:100

NOTES:

1. ALL DIMENSIONS ARE IN METRES UNLESS OTHERWISE STATED.
2. LOCATION OF DOORS IS INDICATIVE ONLY. ACCESS TO BATTERIES MAY BE EXTERNAL FROM SIDE DOORS.
3. BATTERY CONTAINER FOUNDATIONS ARE INDICATIVE ONLY AND SUBJECT TO DETAILED DESIGN.



2	BM	AP	JH	2024-11-19	CHANGED PURPOSE TO PLANNING
1	BM	BY APPD	JH	2024-06-21	FIRST ISSUE
ISSUE	DRAWN	CHKD	APPD	DATE	REVISION NOTES
PURPOSE					COORDINATES
PLANNING					N/A
SCALE				DATUM	
1:100 @A3				N/A	
LAYOUT DRAWING				T-LAYOUT NO	
N/A				N/A	

PROJECT TITLE
BISHOPS DAL STORAGE

DRAWING TITLE
BATTERY STORAGE ENCLOSURE

RES DRAWING NUMBER	REV
05389-RES-BAT-DR-PT-001	2

THIS DRAWING IS THE PROPERTY OF RENEWABLE ENERGY SYSTEMS LIMITED AND NO REPRODUCTION MAY BE MADE IN WHOLE OR IN PART WITHOUT PERMISSION



BEAUFORT COURT,
EGG FARM LANE,
KINGS LANGLEY,
HERTS WD4 8LR, UK
TEL +44 (0) 1923 299200
WWW.RES-GROUP.COM